

# feather&black

## Mala Parquet Bedstead Super King

**IMPORTANT PLEASE READ CAREFULLY AND RETAIN FOR FUTURE REFERENCE**

- Please take a few minutes to read through these instructions before attempting to build this product.
- It is recommended that this product is assembled by two adults
- This product contains small parts, please keep small children clear of the assembly area

### **PRODUCT SAFETY**

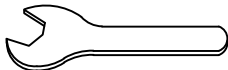
- All assembly fastenings should always be tightened properly and care should be taken to ensure that no fittings are loose
- Periodically check and ensure that all components are in their proper position, free from damage, and that all connectors are tight



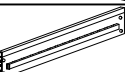

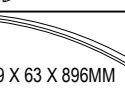
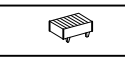


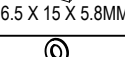
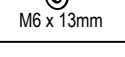

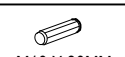
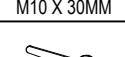
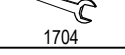
### **PRODUCT CARE**

- Wipe clean using a soft damp cloth followed by a dry cloth
- Do not use abrasives or cleaning products which may contain ammonia or solvents
- Take care when handling or moving the furniture. Careless handling may cause damage, try to lift rather than drag

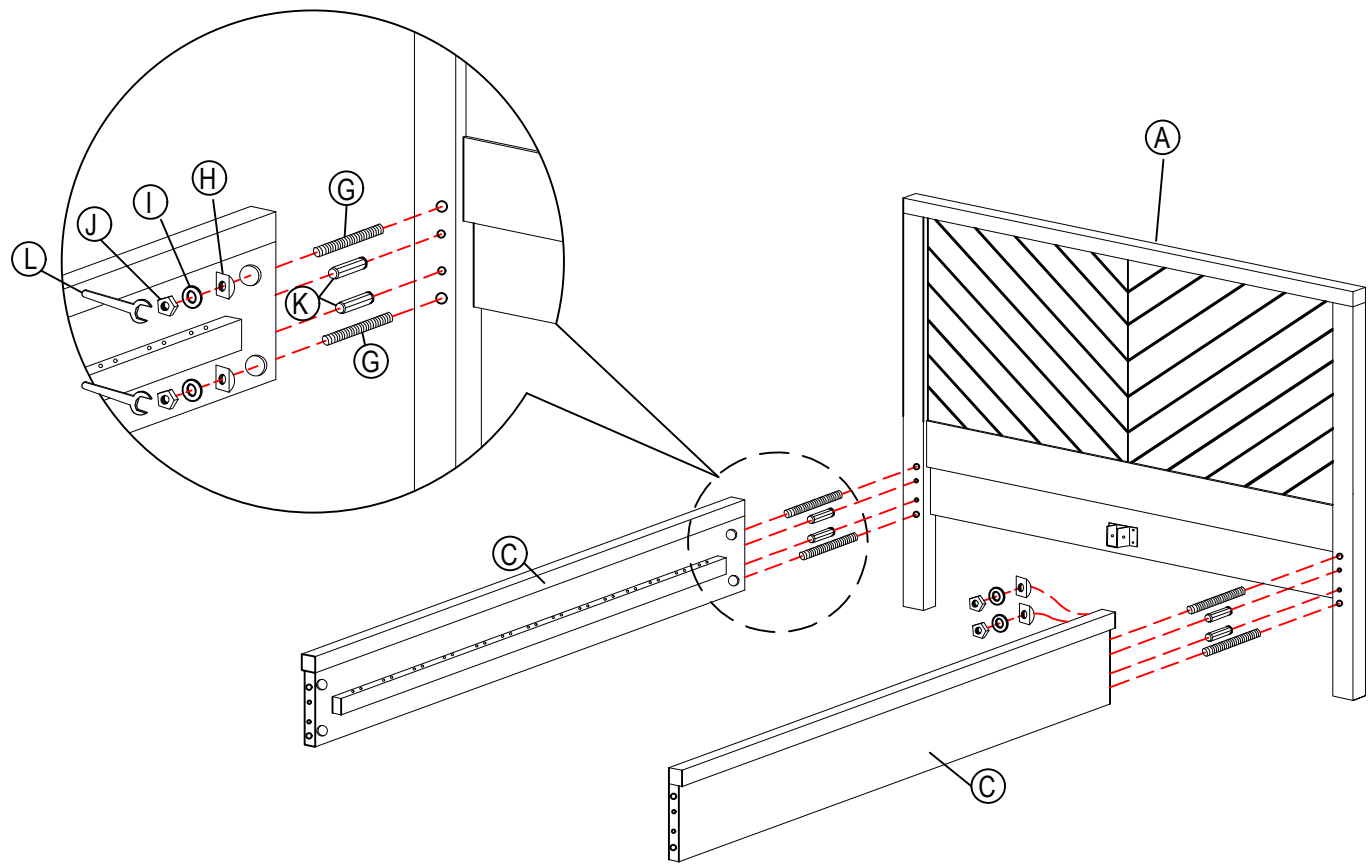
### **TOOLS REQUIRED:**

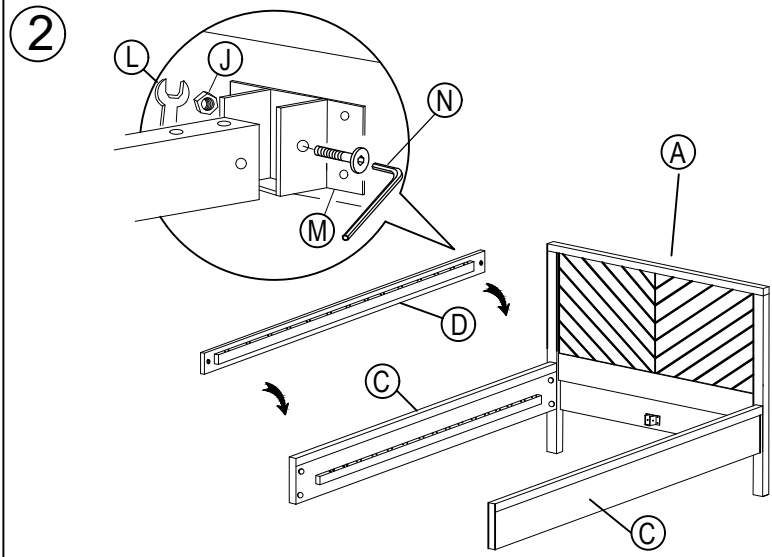
- Please use Spanner (included) and Allen key (included) to assemble the Mala Parquet Bedstead Super King



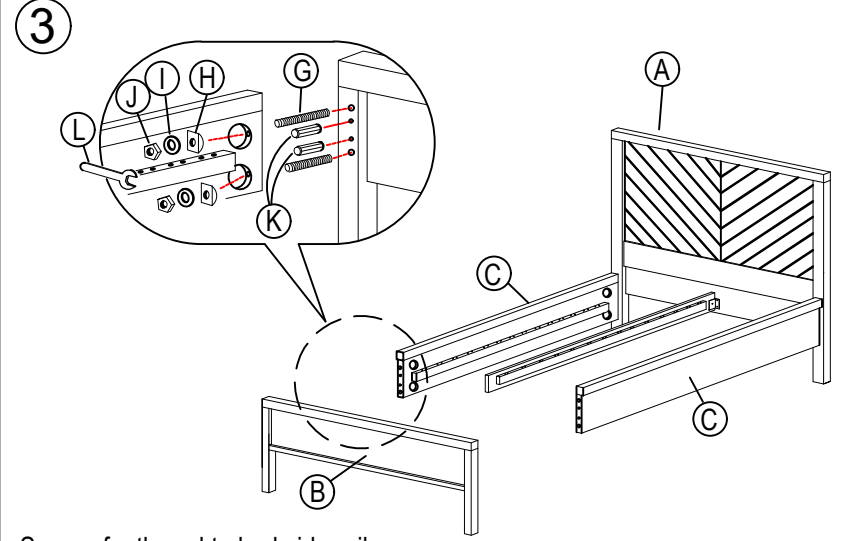
	PARTS	Q'TY
A		1 PC
B		1 PC
C		2 PCS
D		1 PC
E	 9 X 63 X 896MM	32 PCS
F		64 PCS
G	 M6 X 80MM	8 PCS
H	 6.5 X 15 X 5.8MM	8 PCS
I	 M6 x 13mm	8 PCS
J	 M6	10 PCS
K	 M10 X 30MM	8 PCS
L	 1704	1 PC
M	 M6 X 40MM	2 PCS
N	 ALLEN KEY M4	1 PC

①





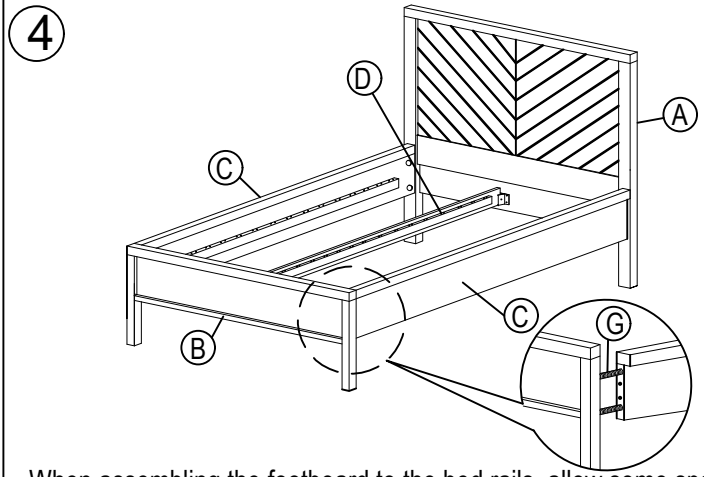
First, fastened centre rail to headboard.



Secure footboard to bed side rail.

**Important notes -**

**Do not tighten the nuts(J) until the bed center rail is assembled to the bed.**



When assembling the footboard to the bed rails, allow some spacing for assembling the center rail. Tighten all nuts(J) after assembling the center rail to the bed.

